



# AVIDYS 540

## AIRPORT CABIN FOR DISPENSING JET A1/ AVGAS



Dispensing equipment



LAFON has taken into account the specific and difficult operating conditions encountered on airports and has developed dispensing equipment that is dedicated to the high flow rates of 12 - 20 m<sup>3</sup> per hour used for JETA1 or AVGAS : AVIDYS 540.

In contrast to the more traditional cabins that are usually found on airports or airdromes, AVIDYS 540 is a true dispensing device which provides users with services similar to those found in a normal service station.

AVIDYS 540 is different because of its incomparable ergonomomy for the user and its very high robustness. Its industrial design and mass production means it has also obtained the rigorous LNE, ATEX and CE certifications.

### ADVANTAGES

#### ROBUSTNESS

- Stainless steel bodywork
- Internal pipe work in stainless steel tubes
- Hydraulic sub-assemblies famous for their reliability
- Complete user/maintainer guide with clear exploded views and references for all parts
- Quality and traceability ensured by the design and mass production



### PRODUCT

- User ergonomics without comparison and very robust
- Facilitates maintenance : access by removing the panels on 4 sides
- Rigorous LNE, ATEX, CE certifications

### SAFETY REGULATORY COMPLIANCE AND MORE :

- Explosive atmosphere safety with ATEX certification and file submitted to INERIS
- Base acts as a storage tray for better environmental protection
- Emergency stop button
- Completely closed bodywork (no user access to sub-assemblies : compliance with Machines Directive)
- Filtering is IP and French army (SEA) compliant
- Integrated equipotential cable reel

### ERGONOMY

- Benefits from stainless steel bodywork on a treated chassis
- Single loop self-guiding hose reel making electrically assisted reeling easier
- Electronic processor:
  - \* Volume automatically returned to zero when nozzle is unhooked, volume and price displays in metrological version
  - \* Greater readability of backlit LCD displays
  - \* Mechanical totaliser available (as an option)
  - \* Simple connection to terminal or management system (Hectronic, Lafon,...)
  - \* Programming by infra-red remote control with 4-line LCD data display and electronic calibration
- Automatic nozzle in the 12 m<sup>3</sup>/h version and manual for other versions

# AVIDYS 540

## AIRPORT CABIN FOR DISPENSING JET A1/JETA1 / AVGAS

### TECHNICAL SPECIFICATIONS

#### PRODUCTS DISTRIBUTED

- JETA1/AVGAS

#### REGULATORY CONFORMITY

- Safety in explosive atmosphere ATEX Ex II 2G IIB T3
- EC marking
- Legally approved metrology (volume/price version)
- Base acts as a storage tray for better environmental protection
- API 1583-IP compliant filtration
- EN 1361 - BS 3158 compliant hose
- Integrated emergency stop button
- Regulatory and product stickers

#### MEASURING ASSEMBLY

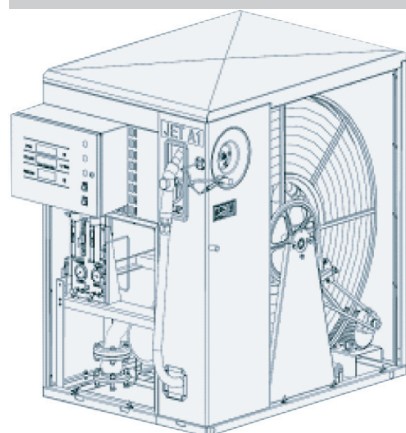
- Counter / vane degasser
- Eltomatic two channel impulsion emitter
- Electronic processor with backlit LCD display, programming by remote control and electronic calibration :
- \* volume only version :
- \* volume/priceversion:IFSFcommunication protocol. Approved for legal metrology

#### DISPENSING LINE

- Enrouleur électrique monospire avec guide sortie à rouleaux
- Moteur de l'enrouleur protégé par relais thermique (réarmement par bouton poussoir)
- \* version 12 m3/h : 30 ml en DN 32, pistolet ZVF 32 automatique
- Option accrocheur avec raccord rapide auto-obturant

#### OPTIONS

- Mechanical volume totaliser
- Optional hook with rapid self-sealing coupling
- Remote control with dead man's handle



#### HYDRAULIC MODULE

- Cleanable protective pre-filter
- Vane metering units :
  - \* 12 m3 per hour or 20 m3 per hour version
- Foam re-injection device at pump entry or tank return
- Three phase ATEX 380 V electric motor with adapted power output
- Dilatoflex Ø 65 pipe connections

#### FILTRATION

- **Civil aviation** : single filtration complying with API 1583-IP (VF22W filter and FGO 612.2 Facet. Filter cartridge Supplied with two cartridges
- **Military aviation** : double filtration complying with API 1583-IP and French army (DCSEA) :
  - \* water separating micro-filter with set of coalescing cartridges and separating cartridge
  - \* VF615 CDF absorbing filter
- Differential pressure indicator(s) to detect clogging of filters visible from the exterior.
- Easily changed filter cartridges

#### EARTHING

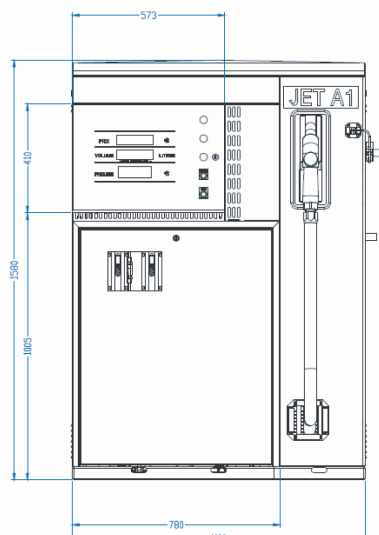
- Integrated manual reel with 35m equipotential cable with unwinding brake and standard clip

#### FOOTPRINT

- Weight : standardised by version
- Footprint (mm) : see drawing

#### VARIANT

- Can be configured with remote electrical



**LAFON**  
TECHNOLOGIES

CONTACT

Tél. +33 5 57 80 80 80  
mail. [contact@lafon.fr](mailto:contact@lafon.fr)  
44, avenue Lucien Victor  
Meunier  
33530 Bassens - France

Voir plus

[WWW.LAFON.FR](http://WWW.LAFON.FR)

