

# AVIA BOXTER

---

## Fuel dispensers



CERTIFIED  
COMPLETE  
EFFICIENT



### **Certified**

---

The AVIA Boxter is a latest generation device that complies with the strictest standards and provides uncompromising customer ergonomics.



### **Complete**

---

The AVIA Boxter has been designed to optimize the profitability of your airfield refueling stations.



### **Efficient**

---

The AVIA Boxter brings you the guarantee of uninterrupted customer service, as well as reduced operating and maintenance costs. Thanks to proven components, designed for intensive use and easy maintenance.

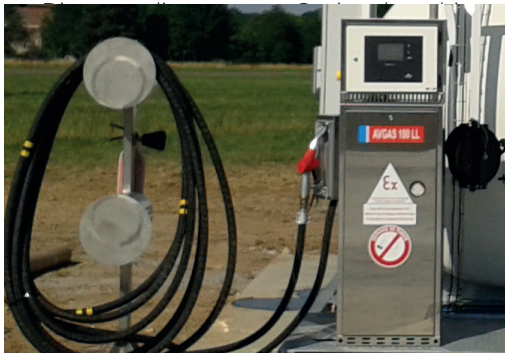
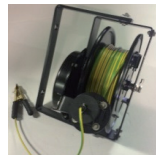
# AVIA Boxter

## + PRODUCT

- Compliant with European standards: ATEX, MID, CE
- Stainless steel or painted stainless steel body
- Industrial production in series in a certified factory
- Motorized winder with body, depending on version
- Easy accessed drain cock and sampling tap
- Simplified filter clogging level reading

## OPTIONS

- Stainless steel post for manual storage of the hose (For version without reel, with 15 ml hose)
- Hose reel with automatic earthing on post (30 meters of HO7VK cable 1x 6mm<sup>2</sup> Green/Yellow with crocodile clip)



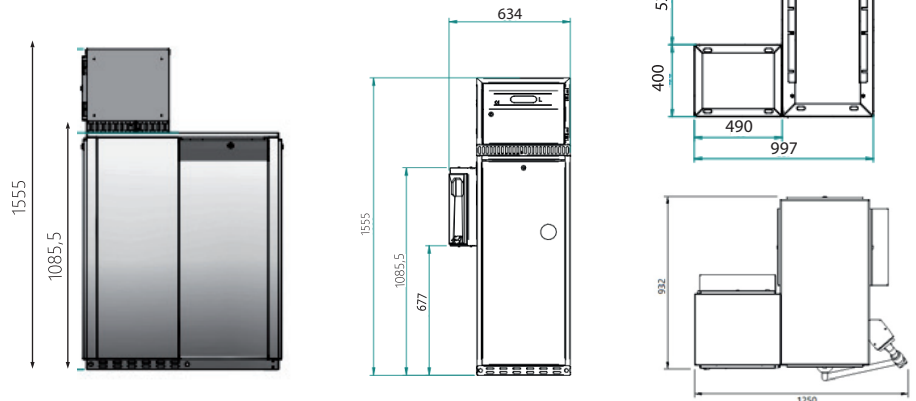
Version without reel with post

### VERSION DISPENSER ONLY:

- Weight : 100kg
- Dimensions (mm) : 997x932x(h)1555

### VERSION WITH REEL :

- Weight : 300kg
- Dimensions (mm) : 1250x932x(h)1555



## TECHNICAL CHARACTERISTICS

- Approved metrology certificate MID Annex B LNE n°20520
- Safety in explosive atmosphere Ex II2G T3
- CE marking
- Hose conforming to ENISO1825
- Filtration according to EI1583 with low point purge
- Full stainless steel bodywork

### HYDRAULIC MODULE

- Compatible with all aviation fuels (AVGAS 100LL, JET A1, UL91)
- Base forming a retention tank
- Explosion-proof pumping unit 3 or 5m<sup>3</sup>/h
- Flexible sleeve 1"1/2
- MADIC industries multifunction foot valve

### FILTRATION

- EI1583 filtration with low point purge
- Integration allowing an easy removal / reinstallation of the filter
- Delivered with a new water absorbing cartridge (in addition to the one used for the tests)
- Differential pressure gauge to indicate the degree of clogging visible from the outside
- Sampling point and millipore intake

### DISPENSING LINE

- Flexible ENISO1825, DN19 in 3m<sup>3</sup>/h or DN25 in 5m<sup>3</sup>/h
- Reel version: 25 ml of hose on a single-spool reel with electric motor return. 3m<sup>3</sup>/h DN19 length 15m. 5m<sup>3</sup>/h DN25 length 25m
- Version without reel: 3m<sup>3</sup>/h 15m or 5m<sup>3</sup>/h 25m
- ELAFLEX ZVA DN19 or DN25 aviation automatic shut-off gun equipped with a 100 mesh filter (cable terminated by an optional crocodile/jack clip)

### CALCULATOR

- Available in Volume Price / MID version LAFON TWIN calculator or Volume only non-metrological LAFON LVSI calculator
- 3 high visibility backlit displays
- Programming by remote control
- Communication with management system by standard protocol IFSF Lon or impulses\*
- Electromechanical volume totalizer

\* Compatibility with third party POS subject to validation

## VERSIONS

- Remote stainless steel reel with spring return for 15 ml of DN25 hose (Other dimensions on request)
- 3 and 5m<sup>3</sup>/h with or without hose reel
- Private dispensers or public forecourt

## CONTACT

Parc d'Aquitaine - 1155 avenue Jean-Baptiste Godin  
33240 Saint-André-de-Cubzac - France  
Tél. +33 (0)5 57 80 80 80 - Fax. 05 56 31 61 21 - Email. [contact.industries@madic.com](mailto:contact.industries@madic.com)  
[WWW.GROUPE.MADIC.COM](http://WWW.GROUPE.MADIC.COM)

ISO 9001 ISO 14001

Non-contractual document  
04/2023 39000114 Ind C UK

 **MADIC** industries  a company of **MADIC** group